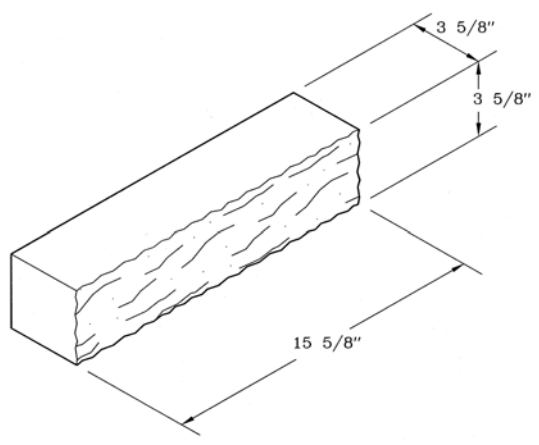
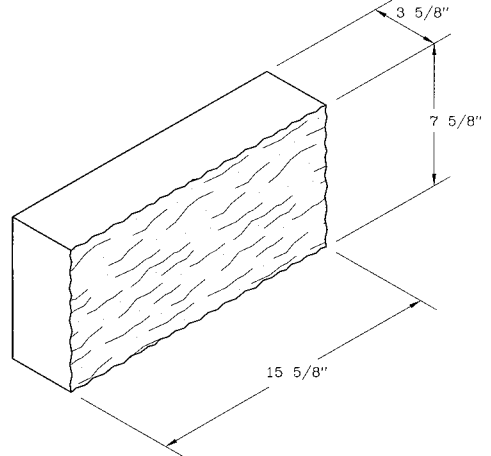


SPF040416 Solid



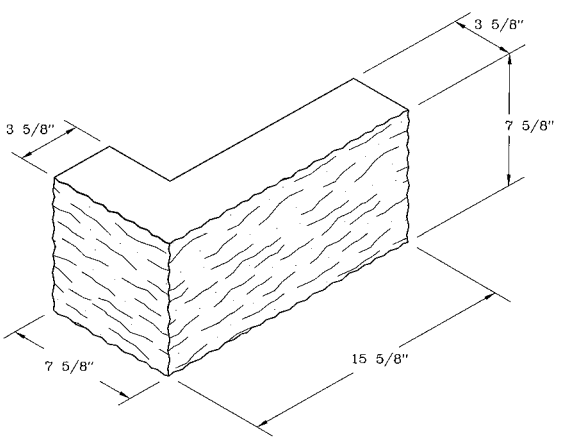
4x4x16 Split Face Solid CMU

SPF040816 Solid



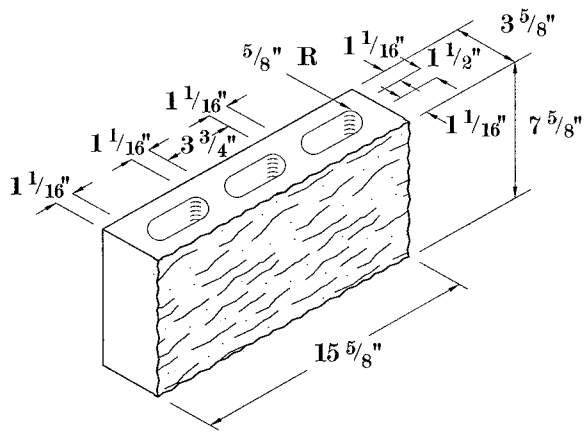
4x8x16 Split Face Solid CMU

SPF040816 Corner



4x8x16 Split Face Return Corner

SPF040816 CMU

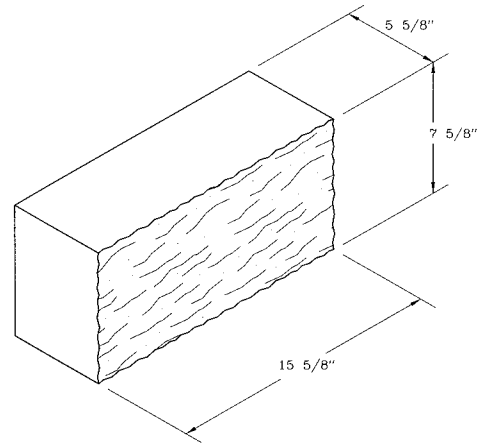


4x8x16 Split Face CMU

Left Blank Intentionally

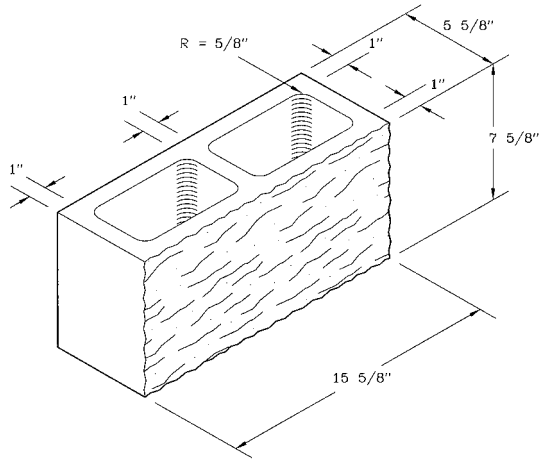
6" Split-Face CMU

SPF060816 Solid



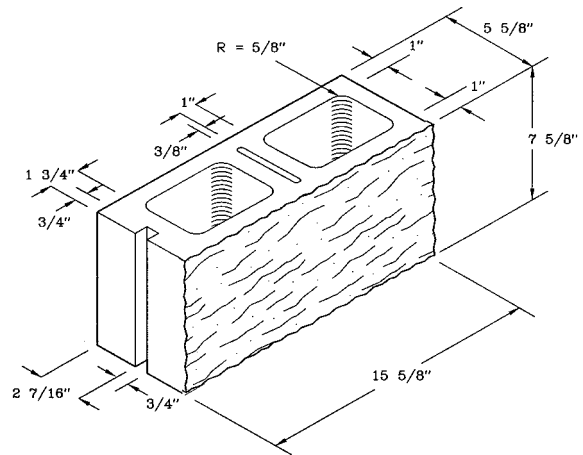
6x8x16 Split Face Solid CMU

SPF060816 Pier



6x8x16 Split Face Pier

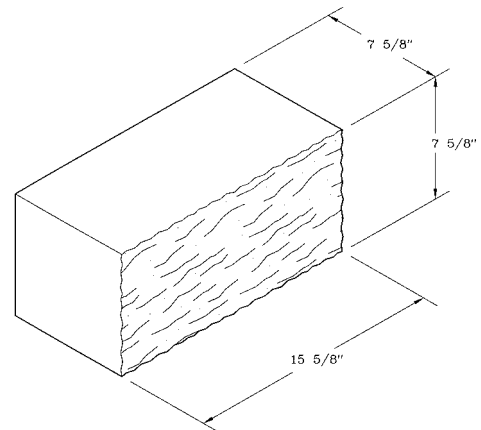
SPF060816 Sash



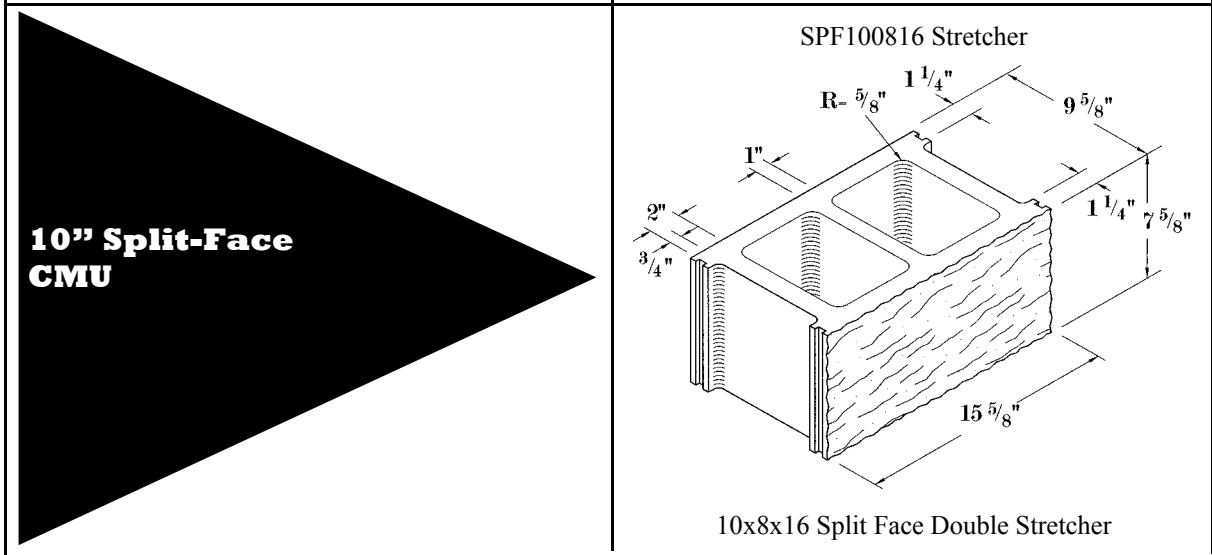
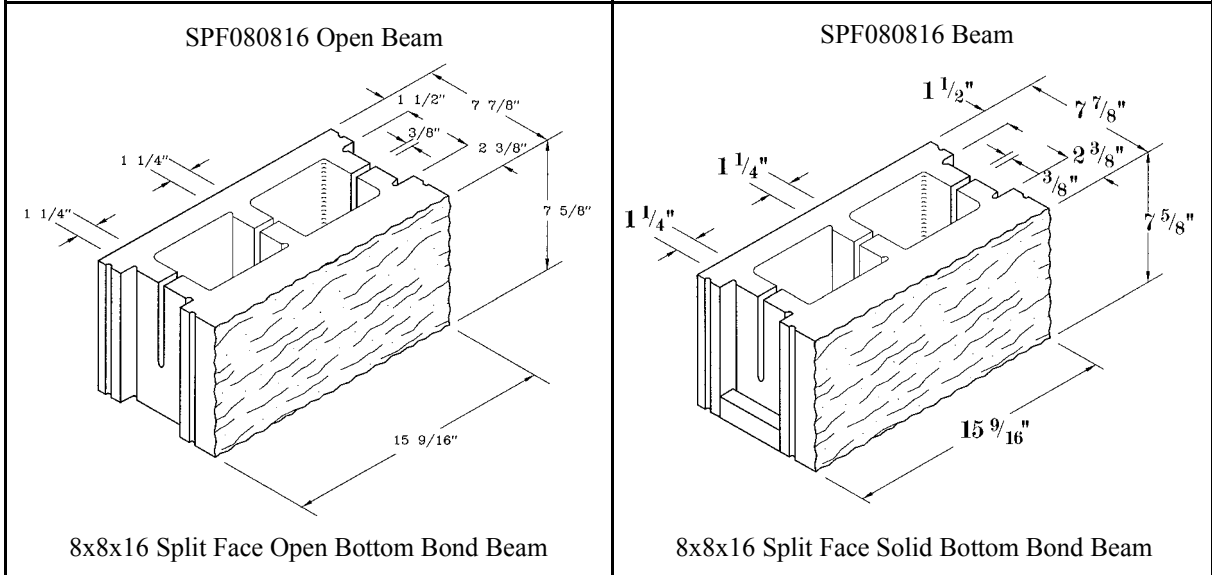
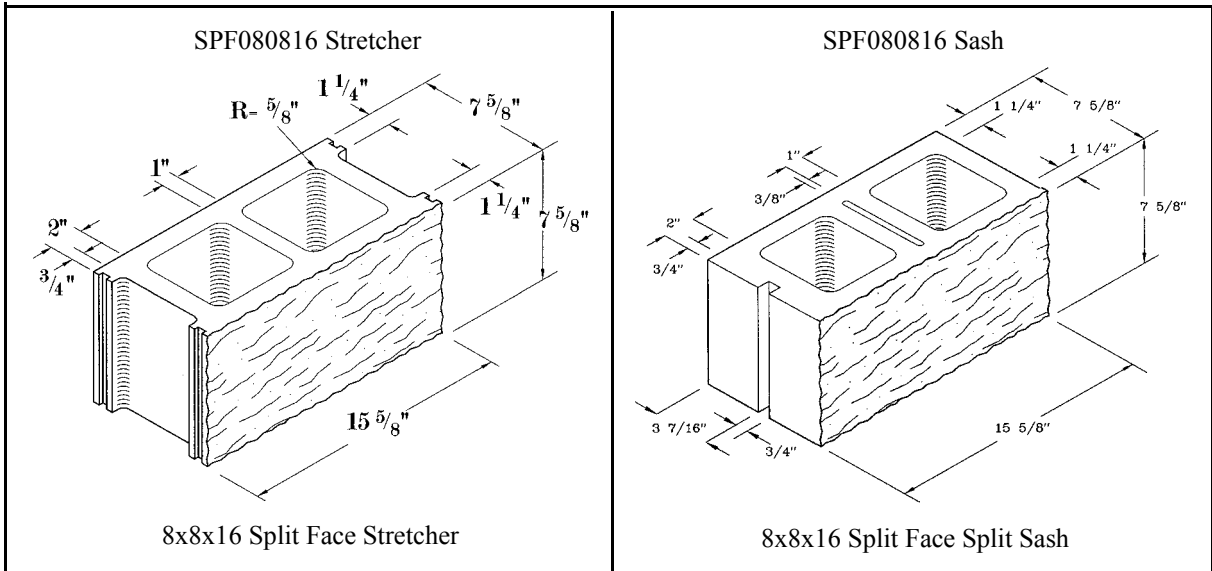
6x8x16 Split Face Split Sash

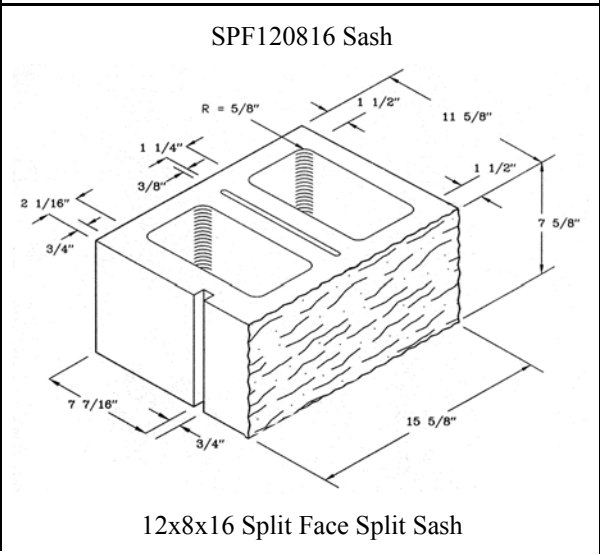
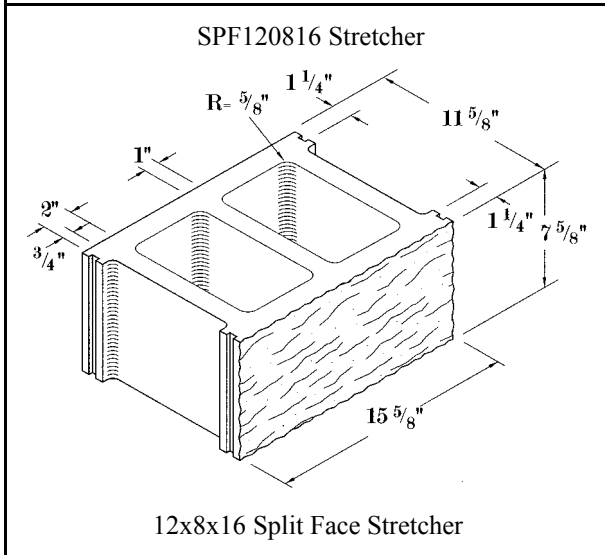
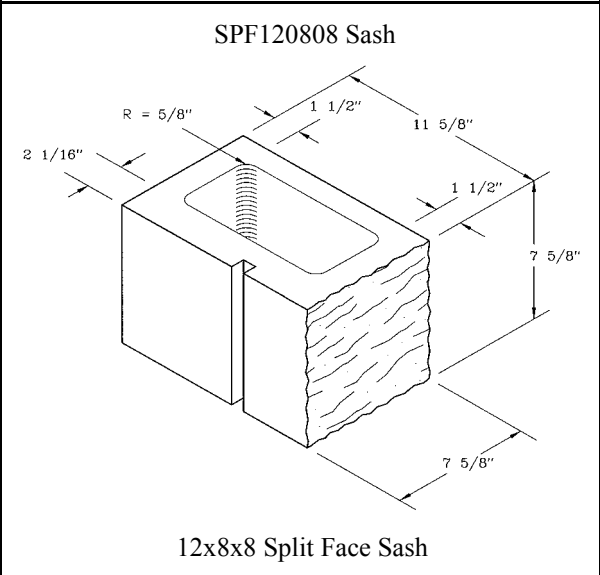
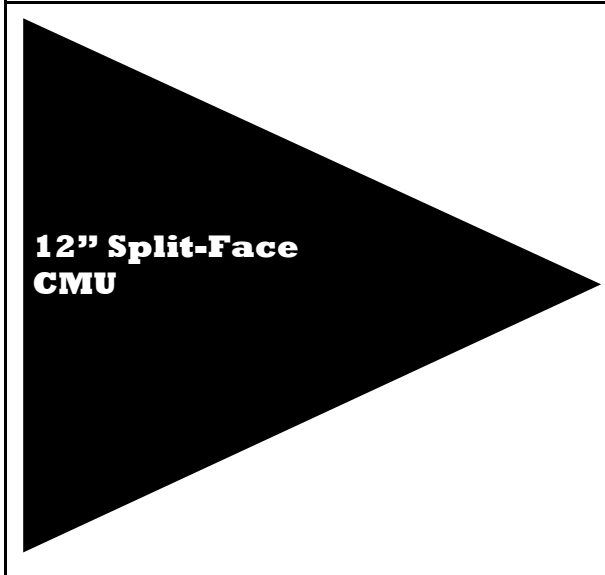
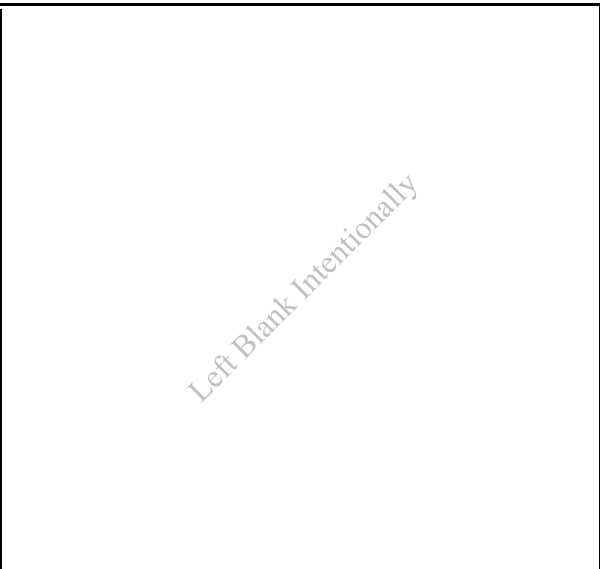
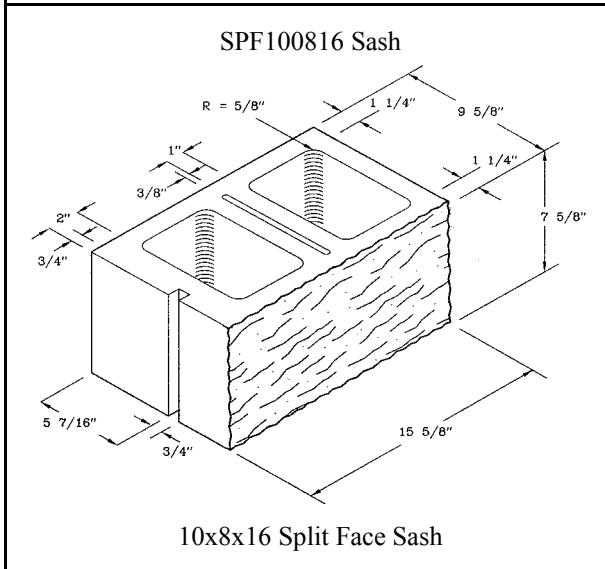
8" Split-Face CMU

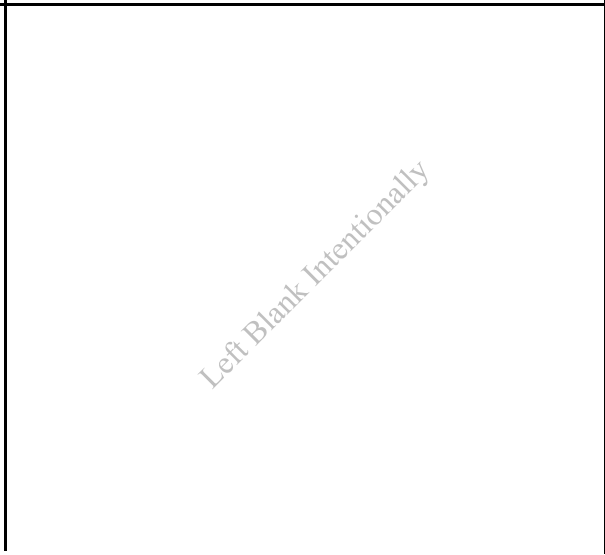
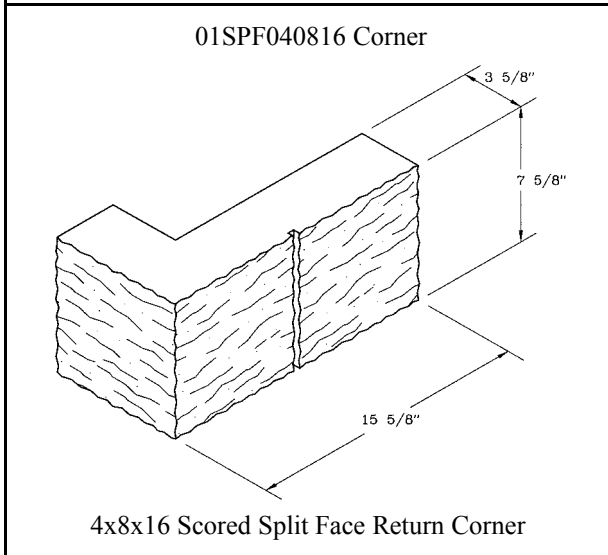
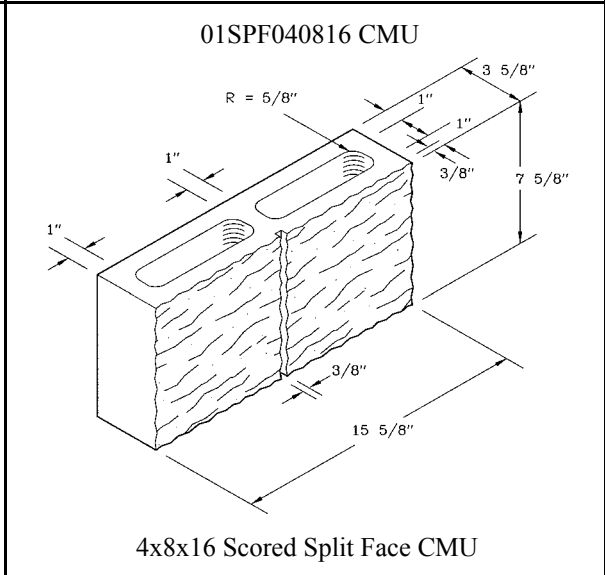
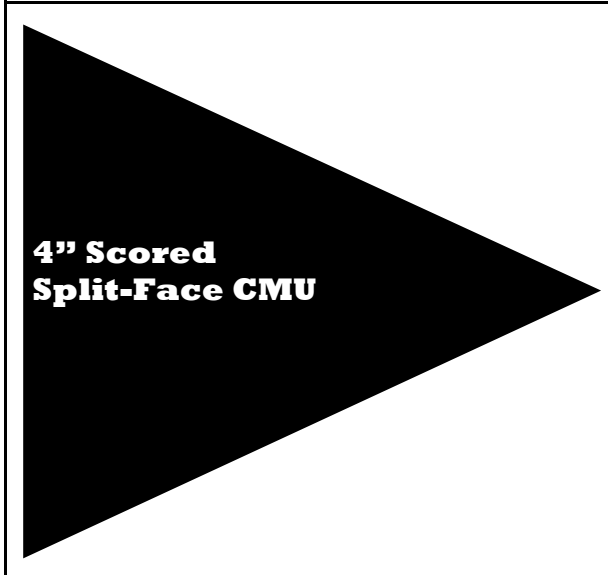
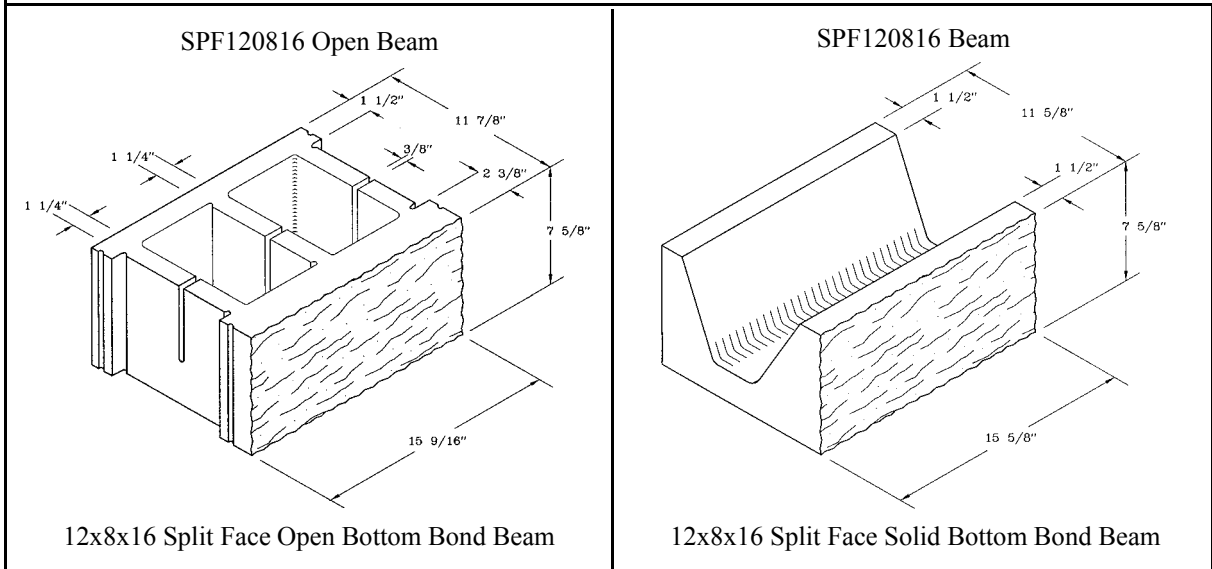
SPF080816 Solid

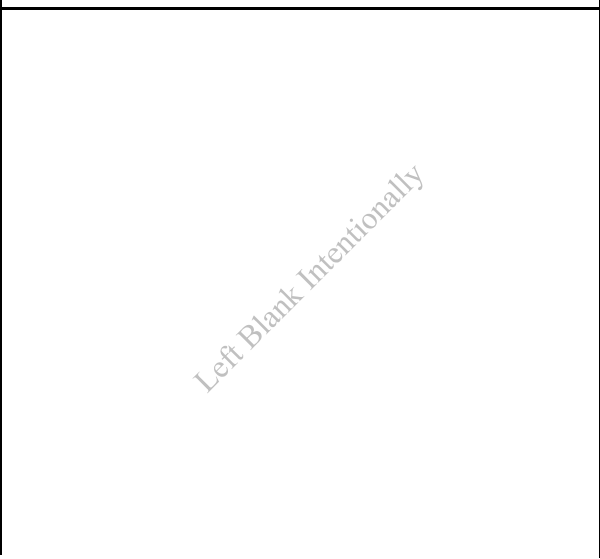
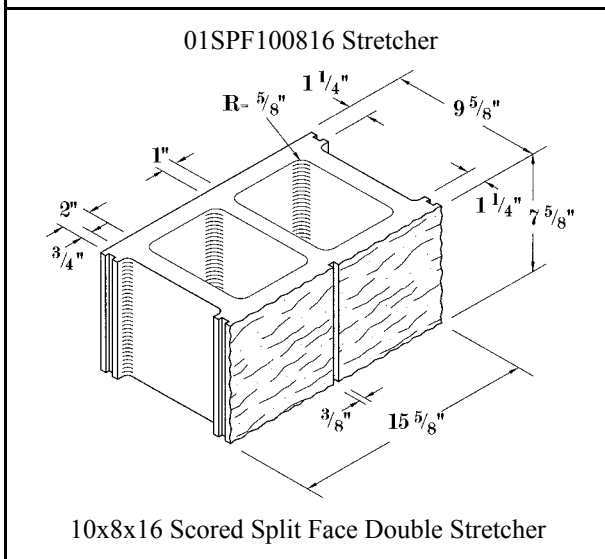
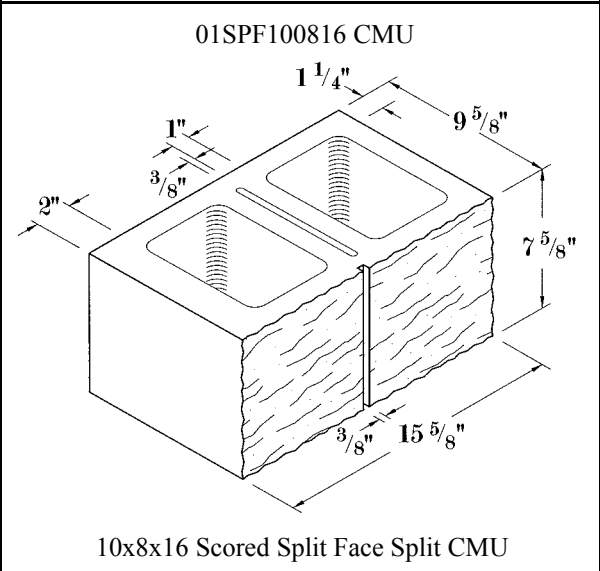
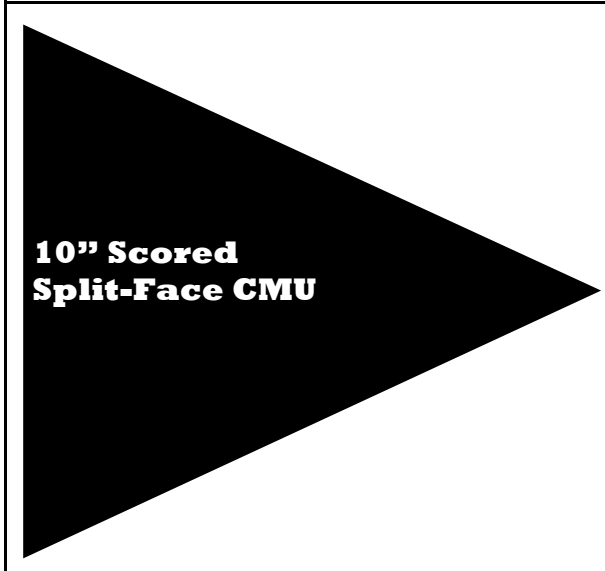
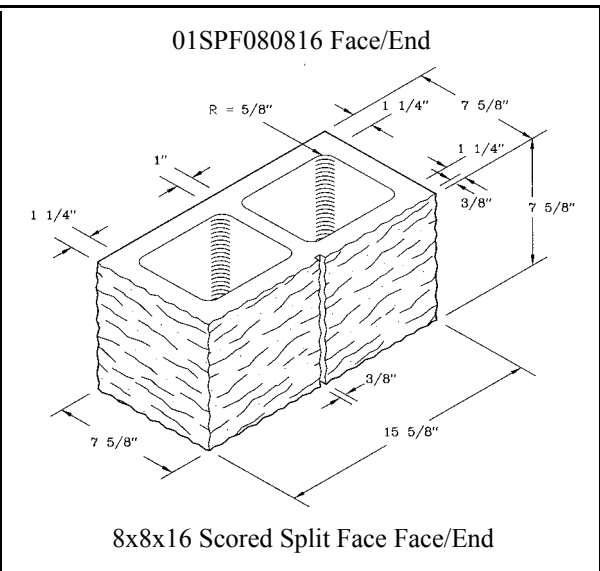
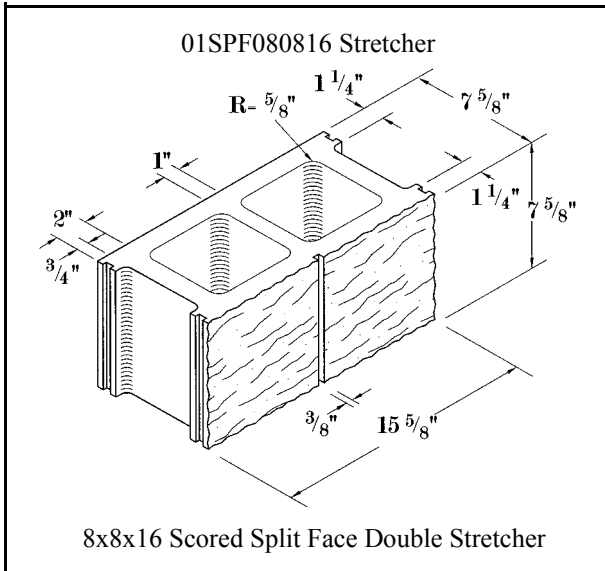


8x8x16 Split Face Solid CMU

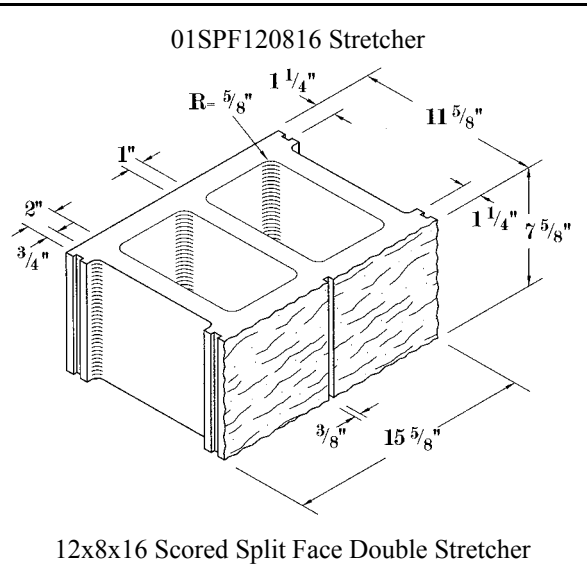
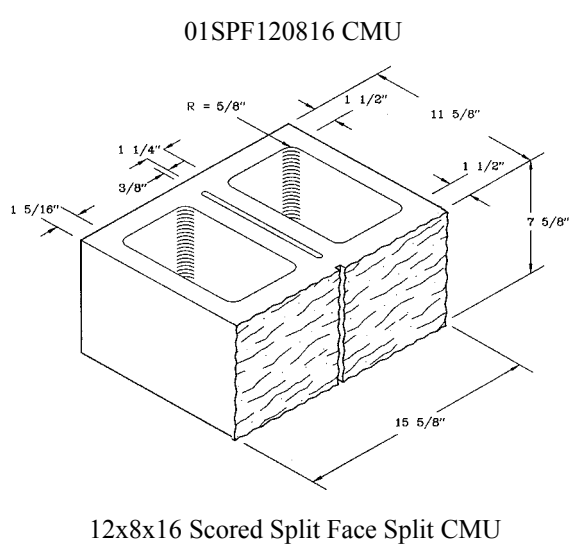






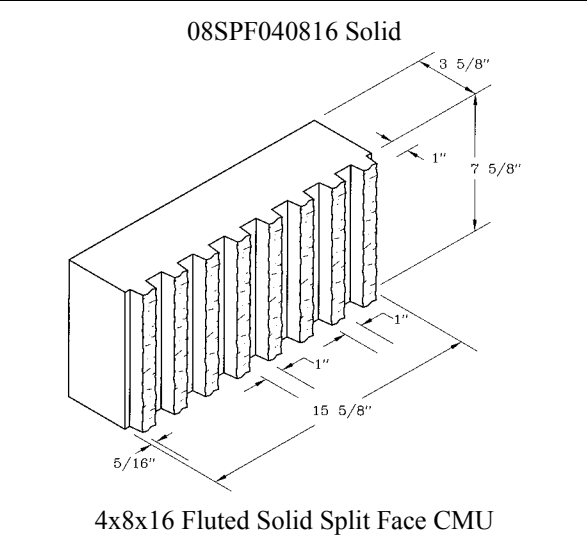


12" Scored Split-Face CMU

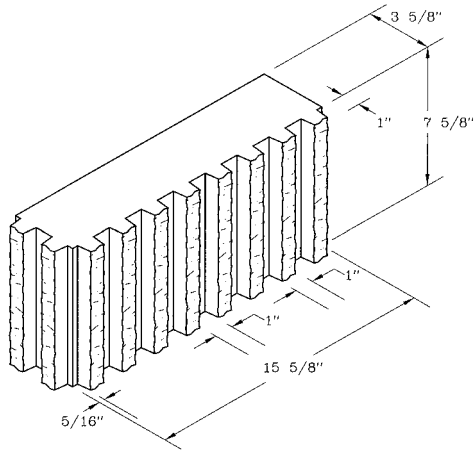


Left Blank Intentionally

4" Fluted Split-Face CMU

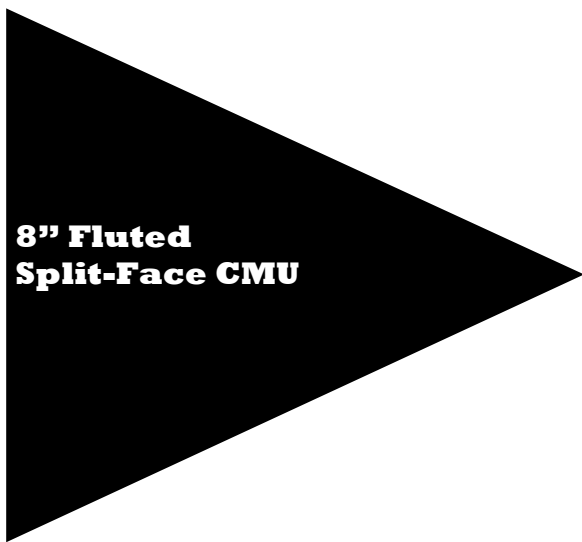


08SPF040816 Face/End

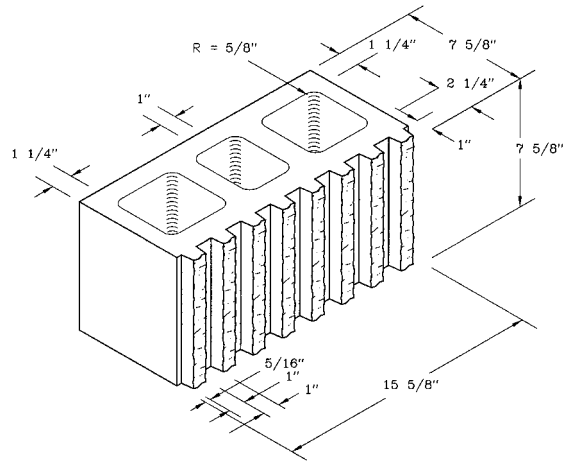


4x8x16 Fluted Solid Split Face/End

Left Blank Intentionally

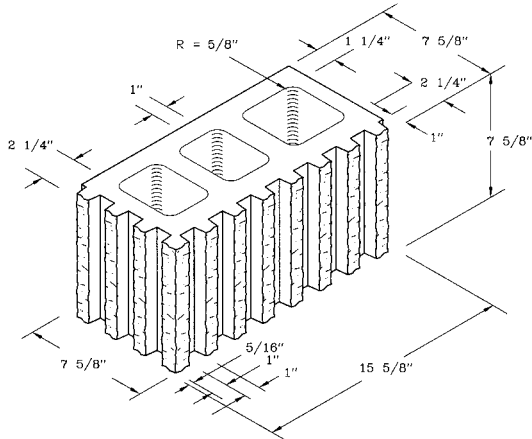


08SPF080816 CMU



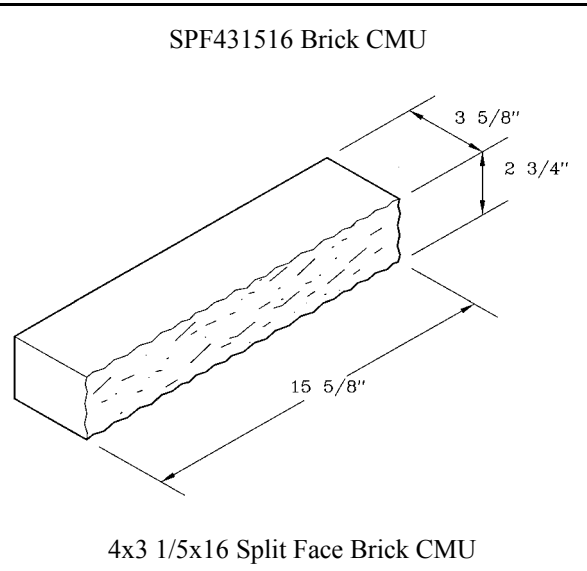
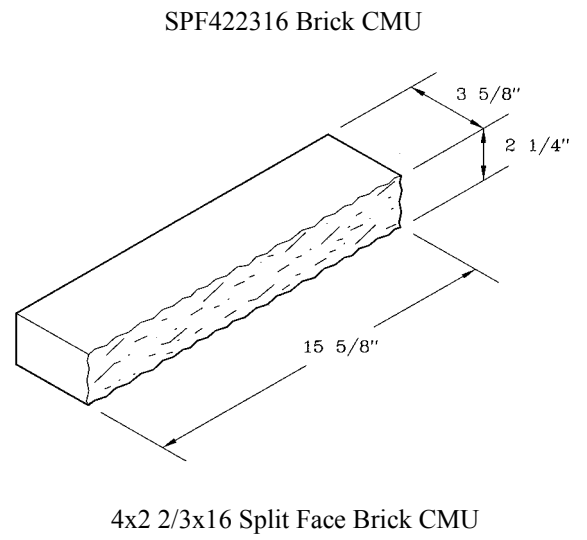
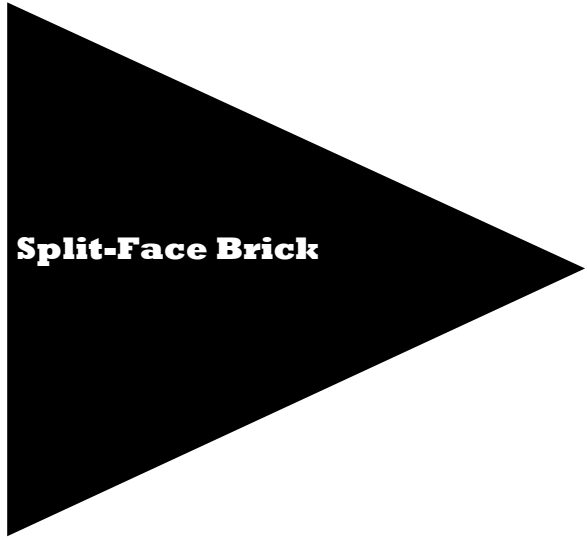
8x8x16 Fluted Split Face CMU

08SPF080816 Face/End



8x8x16 Fluted Split Face/End

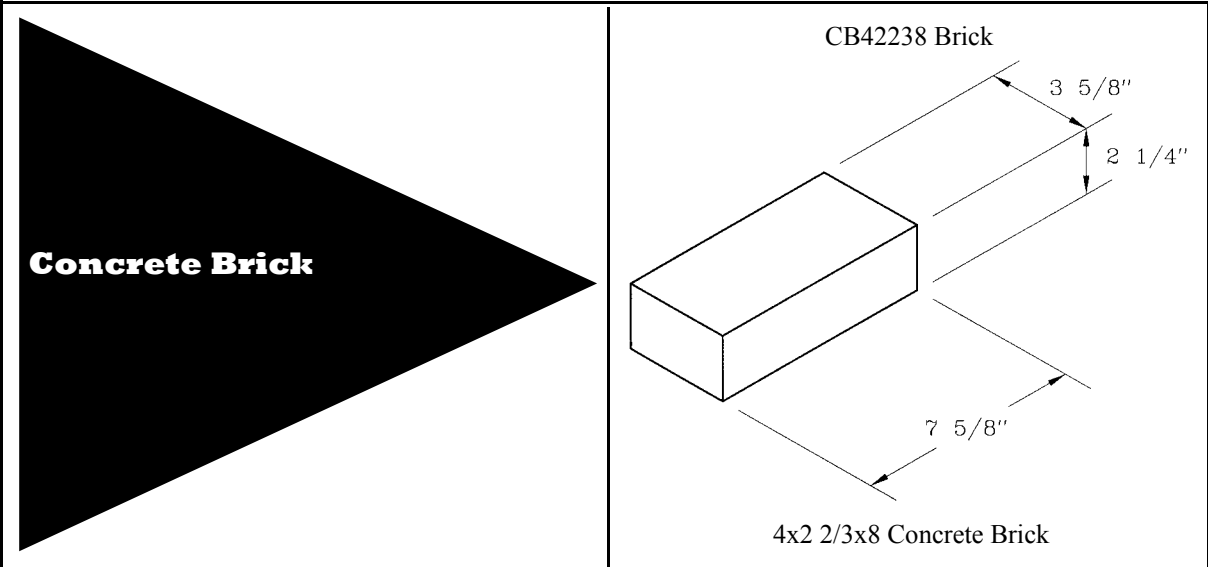
Left Blank Intentionally



Left Blank Intentionally

Left Blank Intentionally

Left Blank Intentionally



Left Blank Intentionally

Left Blank Intentionally

Left Blank Intentionally

Left Blank Intentionally